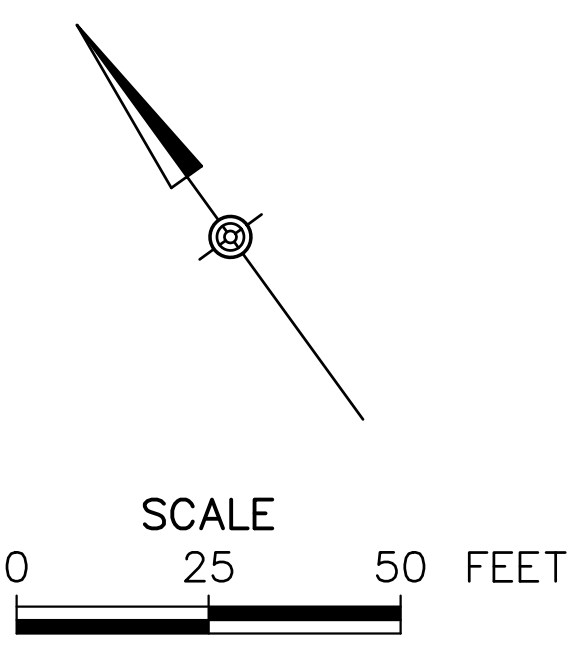


AUTUMN ROAD

FAIRY HILL ROAD

**LEGEND**

- PHASE 1 - SIDEWALK AND DRAINAGE INSTALLATION  
DCED MULTIMODAL FUNDS  
NO PERMIT REQUIRED
- PHASE 2 - DRAINAGE IMPROVEMENTS  
DCED MULTIMODAL FUNDS  
HOP PERMIT PROCESS
- PHASE 3 - SIDEWALK AND DRAINAGE INSTALLATION  
DCED MULTIMODAL FUNDS  
NO PERMIT REQUIRED
- PHASE 4 - TRAIL INSTALLATION  
TA SET ASIDE GRANT  
PENNDOT PROJECT DELIVERY PROCESS
- PHASE 5 - WASHINGTON/GREENWOOD AND  
JENKINTOWN/MEETINGHOUSE  
GREEN LIGHT GO TRANSPORTATION PROGRAM  
HOP PERMIT PROCESS
- PROPOSED INLET



LEGAL R/W LINE (TWP)

LEGAL R/W LINE (TWP)

LEGAL R/W LINE (TWP)

LEGAL R/W LINE (TWP)

LEGAL R/W LINE (TWP)

REQUIRED R/W LINE

400

403

404

405

406

407

100

103

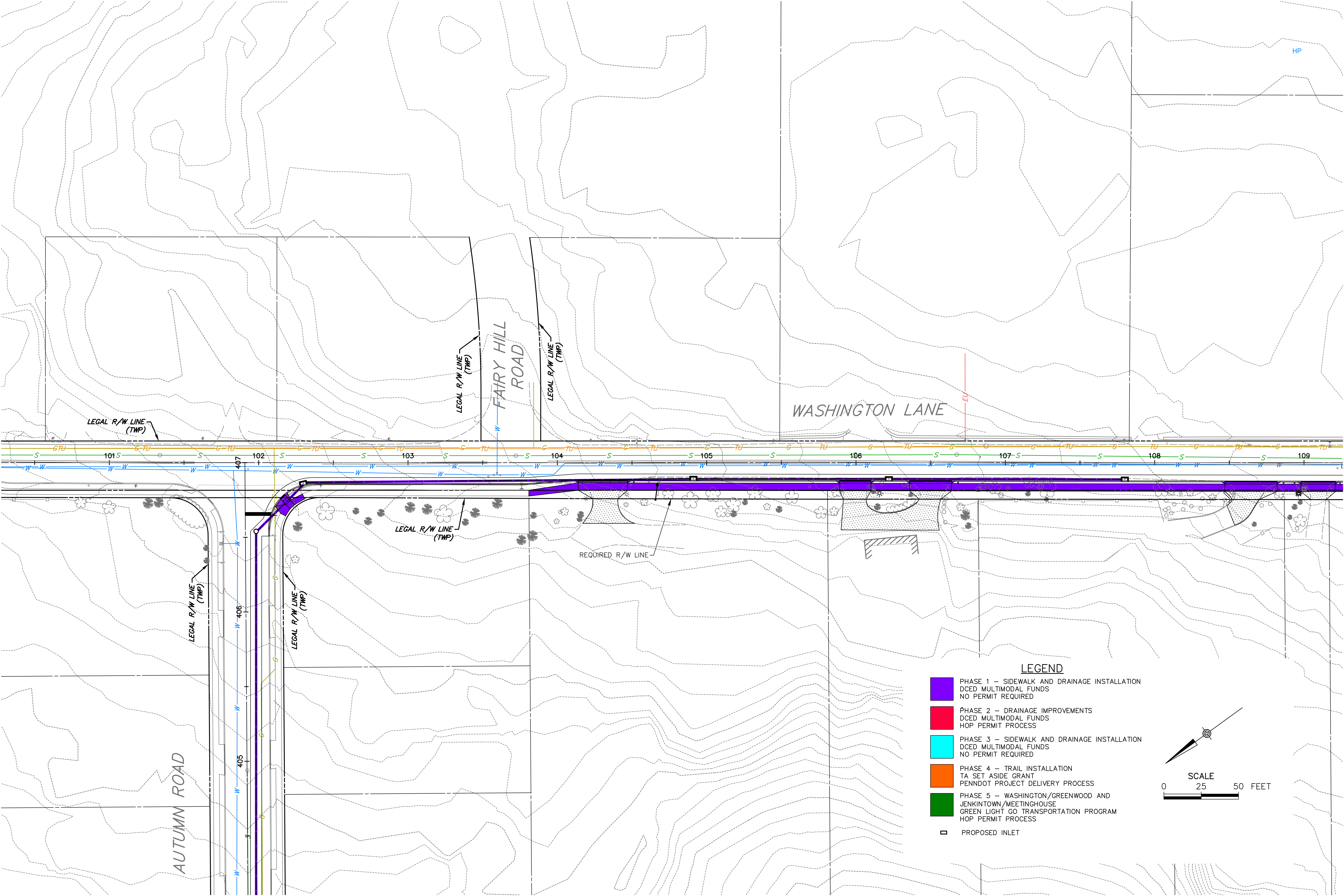
104

104

PC

4PT

PT



LEGAL R/W LINE (TWP)

LEGAL R/W LINE (TWP)  
FAIRY HILL ROAD

LEGAL R/W LINE (TWP)

WASHINGTON LANE

EU

101S 102S 103S 104S 105S 106S 107S 108S 109S

LEGAL R/W LINE (TWP)

LEGAL R/W LINE (TWP)

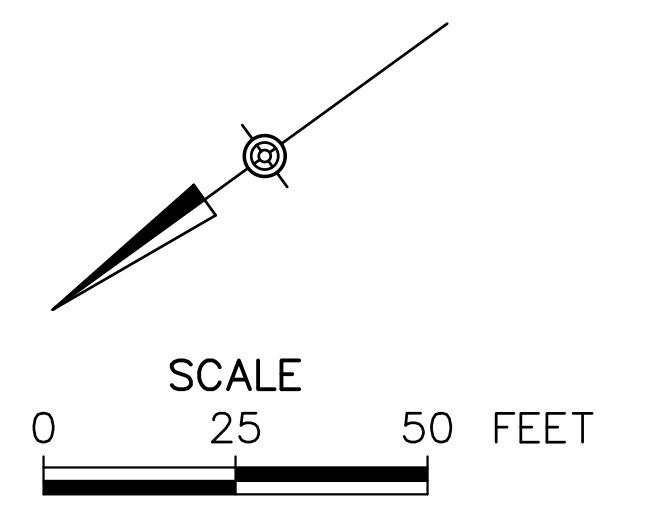
LEGAL R/W LINE (TWP)

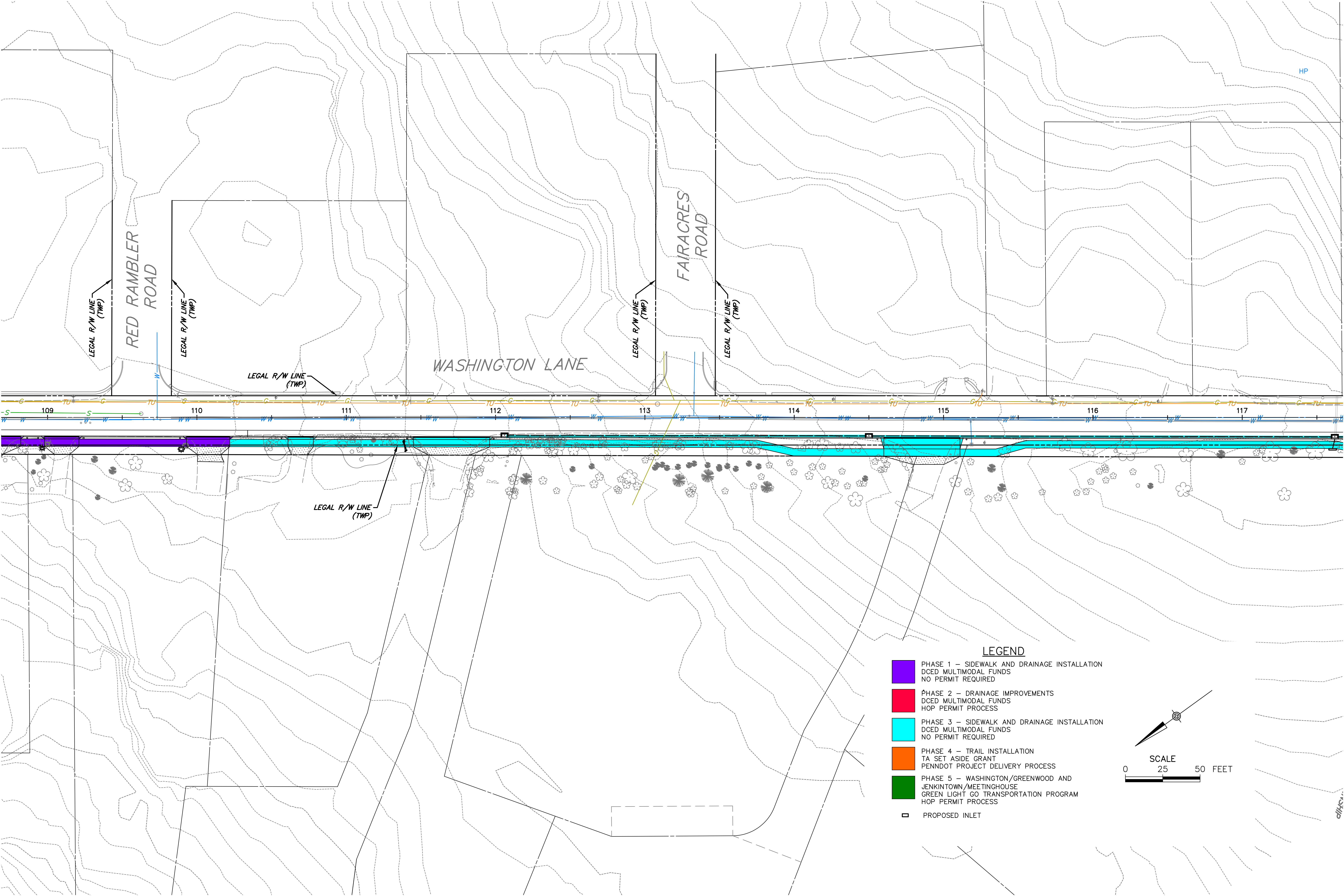
REQUIRED R/W LINE

AUTUMN ROAD

**LEGEND**

- PHASE 1 – SIDEWALK AND DRAINAGE INSTALLATION  
DCED MULTIMODAL FUNDS  
NO PERMIT REQUIRED
- PHASE 2 – DRAINAGE IMPROVEMENTS  
DCED MULTIMODAL FUNDS  
HOP PERMIT PROCESS
- PHASE 3 – SIDEWALK AND DRAINAGE INSTALLATION  
DCED MULTIMODAL FUNDS  
NO PERMIT REQUIRED
- PHASE 4 – TRAIL INSTALLATION  
TA SET ASIDE GRANT  
PENNDOT PROJECT DELIVERY PROCESS
- PHASE 5 – WASHINGTON/GREENWOOD AND JENKINTOWN/MEETINGHOUSE  
GREEN LIGHT GO TRANSPORTATION PROGRAM  
HOP PERMIT PROCESS
- PROPOSED INLET





LEGAL R/W LINE (TWP)  
RED RAMBLER ROAD

LEGAL R/W LINE (TWP)

LEGAL R/W LINE (TWP)

WASHINGTON LANE

LEGAL R/W LINE (TWP)

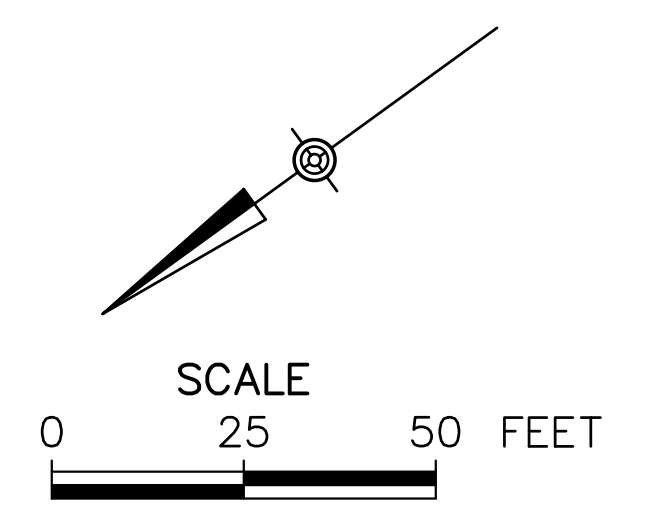
FAIRACRES ROAD

LEGAL R/W LINE (TWP)

LEGAL R/W LINE (TWP)

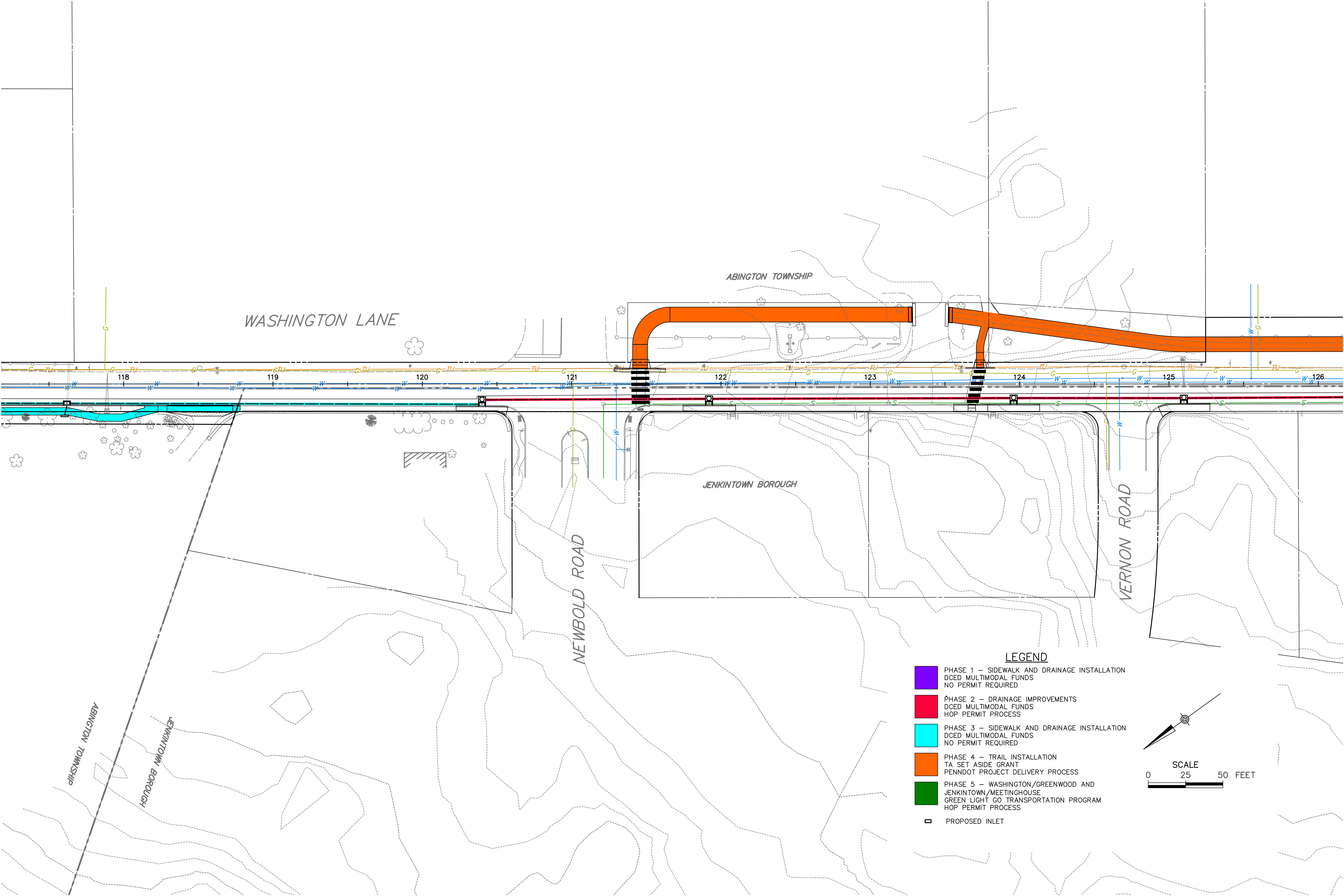
**LEGEND**

- PHASE 1 – SIDEWALK AND DRAINAGE INSTALLATION  
DCED MULTIMODAL FUNDS  
NO PERMIT REQUIRED
- PHASE 2 – DRAINAGE IMPROVEMENTS  
DCED MULTIMODAL FUNDS  
HOP PERMIT PROCESS
- PHASE 3 – SIDEWALK AND DRAINAGE INSTALLATION  
DCED MULTIMODAL FUNDS  
NO PERMIT REQUIRED
- PHASE 4 – TRAIL INSTALLATION  
TA SET ASIDE GRANT  
PENNDOT PROJECT DELIVERY PROCESS
- PHASE 5 – WASHINGTON/GREENWOOD AND  
JENKINTOWN/MEETINGHOUSE  
GREEN LIGHT GO TRANSPORTATION PROGRAM  
HOP PERMIT PROCESS
- PROPOSED INLET



HP

d/h/c



WASHINGTON LANE

ABINGTON TOWNSHIP

JENKINTOWN BOROUGH

NEWBOLD ROAD

VERNON ROAD

ABINGTON TOWNSHIP

JENKINTOWN BOROUGH

118

119

120

121

122

123

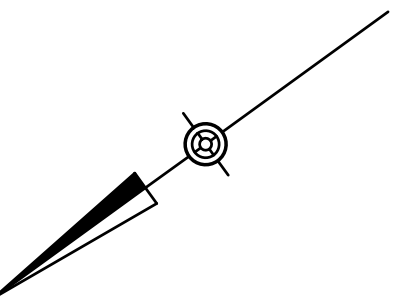
124

125

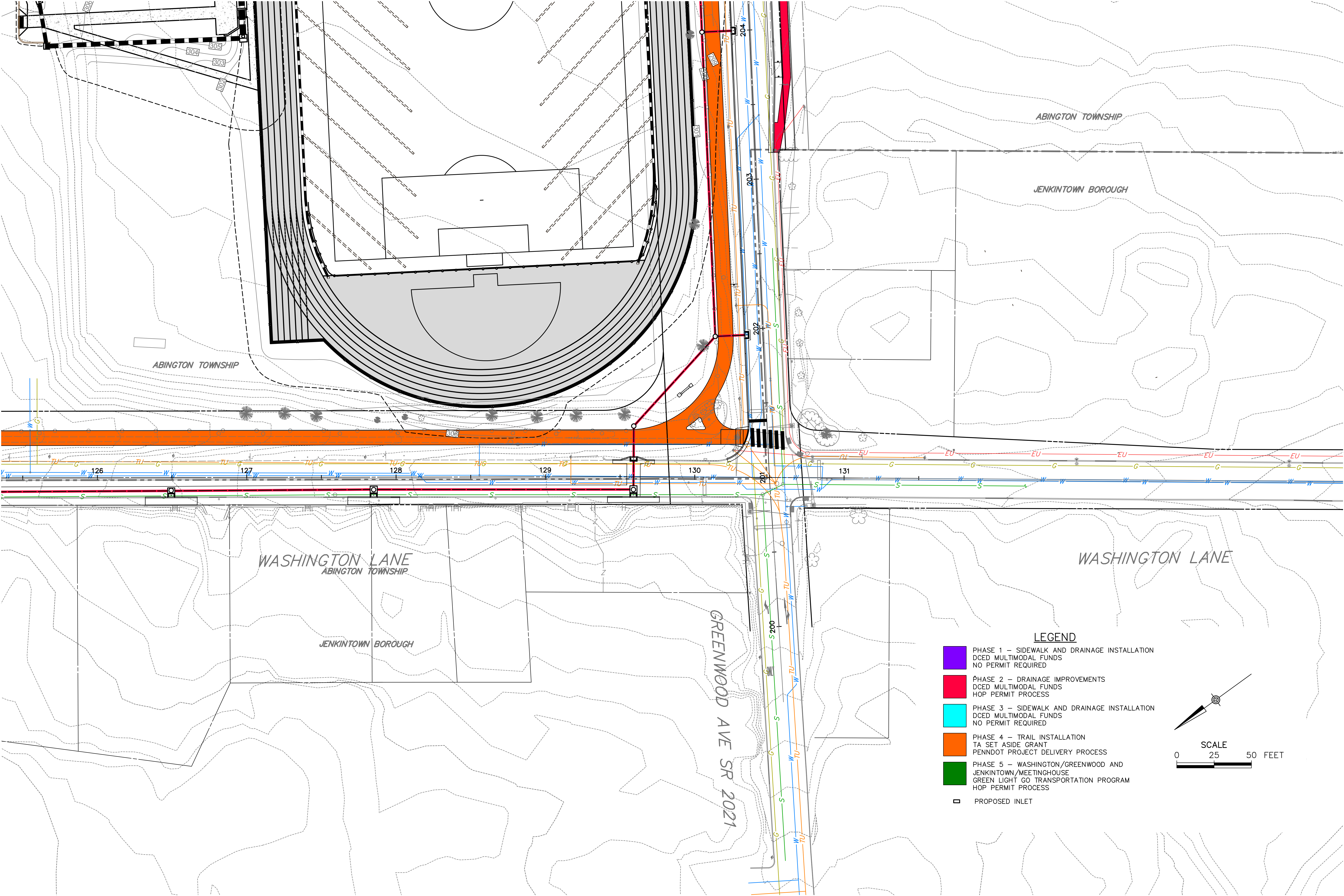
126

**LEGEND**

- PHASE 1 – SIDEWALK AND DRAINAGE INSTALLATION  
DCED MULTIMODAL FUNDS  
NO PERMIT REQUIRED
- PHASE 2 – DRAINAGE IMPROVEMENTS  
DCED MULTIMODAL FUNDS  
HOP PERMIT PROCESS
- PHASE 3 – SIDEWALK AND DRAINAGE INSTALLATION  
DCED MULTIMODAL FUNDS  
NO PERMIT REQUIRED
- PHASE 4 – TRAIL INSTALLATION  
TA SET ASIDE GRANT  
PENNDOT PROJECT DELIVERY PROCESS
- PHASE 5 – WASHINGTON/GREENWOOD AND  
JENKINTOWN/MEETINGHOUSE  
GREEN LIGHT GO TRANSPORTATION PROGRAM  
HOP PERMIT PROCESS
- PROPOSED INLET



SCALE  
0 25 50 FEET



ABINGTON TOWNSHIP

JENKINTOWN BOROUGH

ABINGTON TOWNSHIP

WASHINGTON LANE  
ABINGTON TOWNSHIP

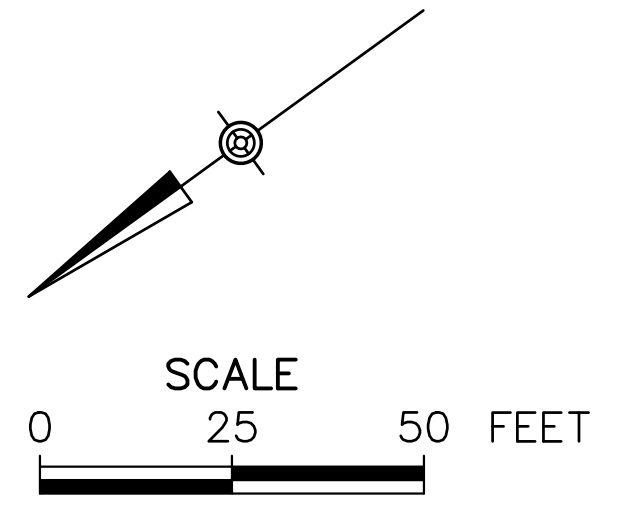
JENKINTOWN BOROUGH

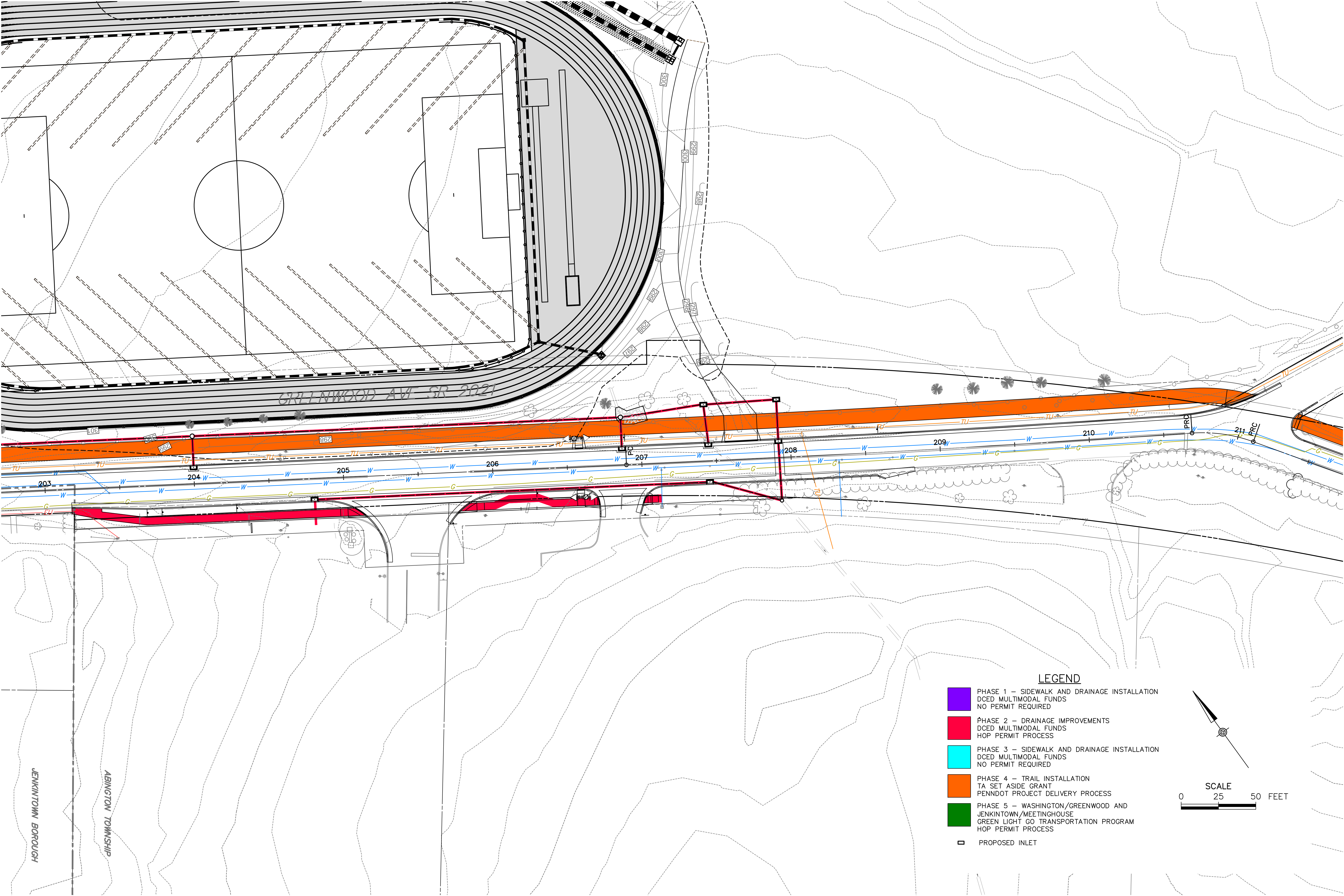
WASHINGTON LANE

GREENWOOD AVE SR 2021

**LEGEND**

- PHASE 1 – SIDEWALK AND DRAINAGE INSTALLATION  
DCED MULTIMODAL FUNDS  
NO PERMIT REQUIRED
- PHASE 2 – DRAINAGE IMPROVEMENTS  
DCED MULTIMODAL FUNDS  
HOP PERMIT PROCESS
- PHASE 3 – SIDEWALK AND DRAINAGE INSTALLATION  
DCED MULTIMODAL FUNDS  
NO PERMIT REQUIRED
- PHASE 4 – TRAIL INSTALLATION  
TA SET ASIDE GRANT  
PENNDOT PROJECT DELIVERY PROCESS
- PHASE 5 – WASHINGTON/GREENWOOD AND  
JENKINTOWN/MEETINGHOUSE  
GREEN LIGHT GO TRANSPORTATION PROGRAM  
HOP PERMIT PROCESS
- PROPOSED INLET

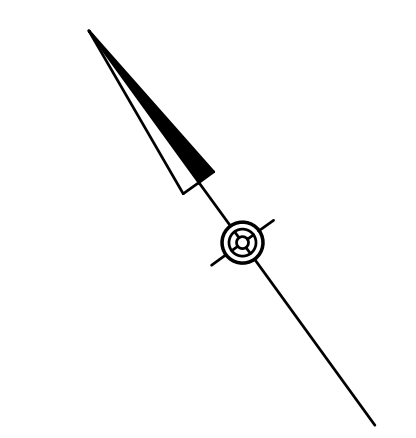




GREENWOOD AVE SR 2021

**LEGEND**

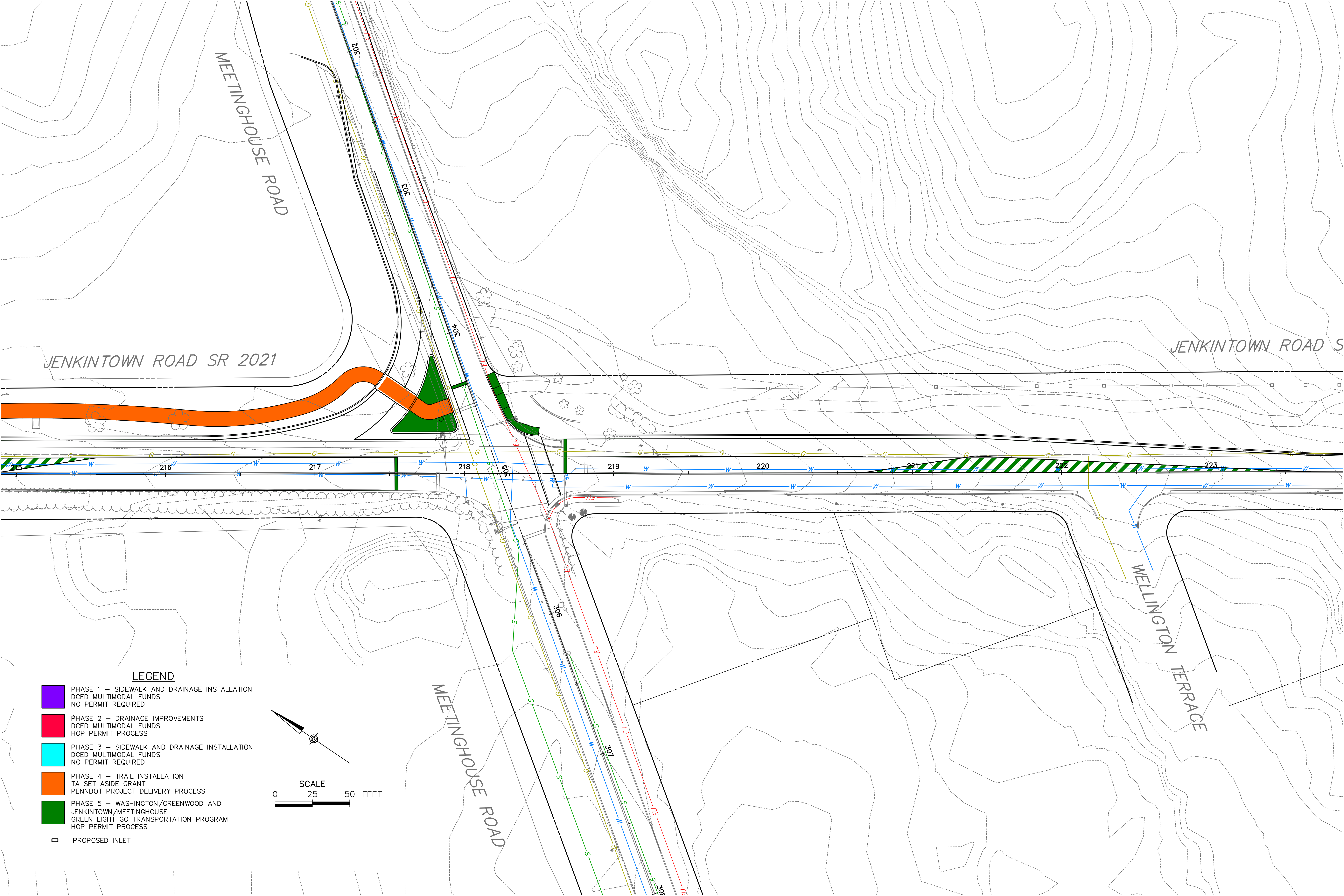
- PHASE 1 – SIDEWALK AND DRAINAGE INSTALLATION  
DCED MULTIMODAL FUNDS  
NO PERMIT REQUIRED
- PHASE 2 – DRAINAGE IMPROVEMENTS  
DCED MULTIMODAL FUNDS  
HOP PERMIT PROCESS
- PHASE 3 – SIDEWALK AND DRAINAGE INSTALLATION  
DCED MULTIMODAL FUNDS  
NO PERMIT REQUIRED
- PHASE 4 – TRAIL INSTALLATION  
TA SET ASIDE GRANT  
PENNDOT PROJECT DELIVERY PROCESS
- PHASE 5 – WASHINGTON/GREENWOOD AND  
JENKINTOWN/MEETINGHOUSE  
GREEN LIGHT GO TRANSPORTATION PROGRAM  
HOP PERMIT PROCESS
- PROPOSED INLET



SCALE  
0 25 50 FEET

JENKINTOWN BOROUGH

ABINGTON TOWNSHIP



MEETINGHOUSE ROAD

JENKINTOWN ROAD SR 2021

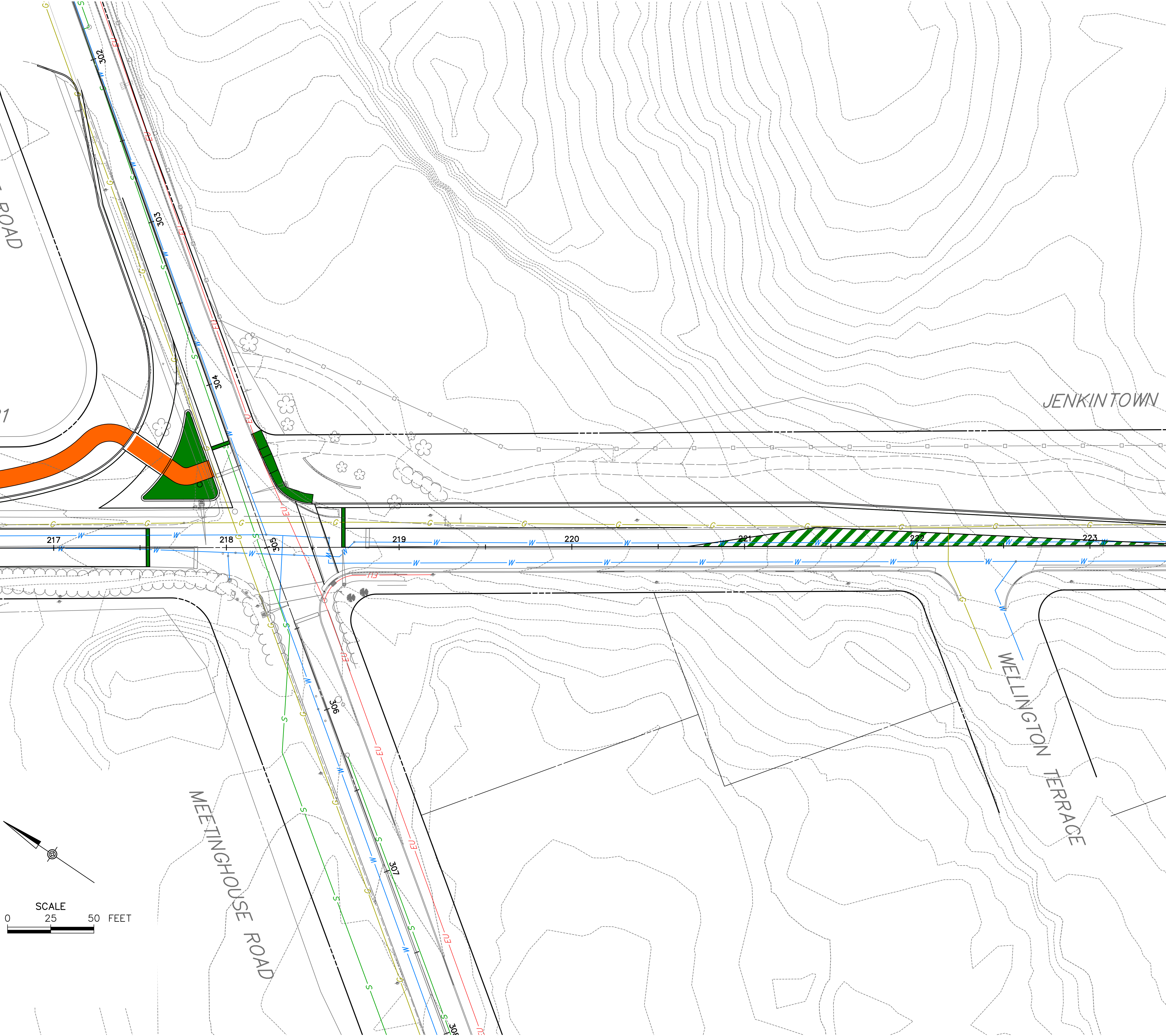
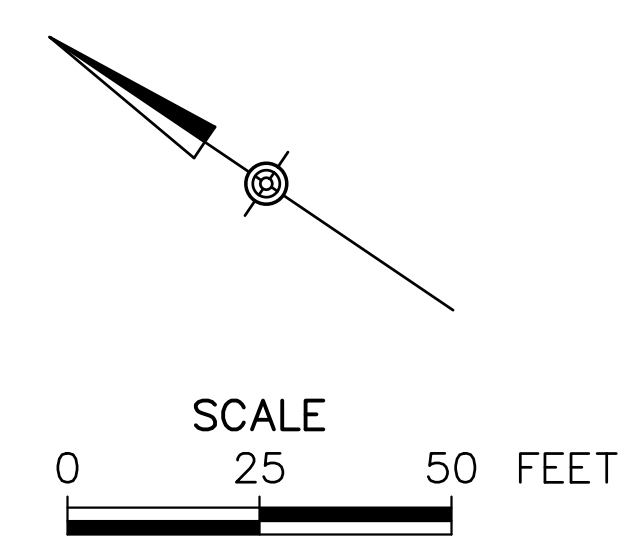
JENKINTOWN ROAD S

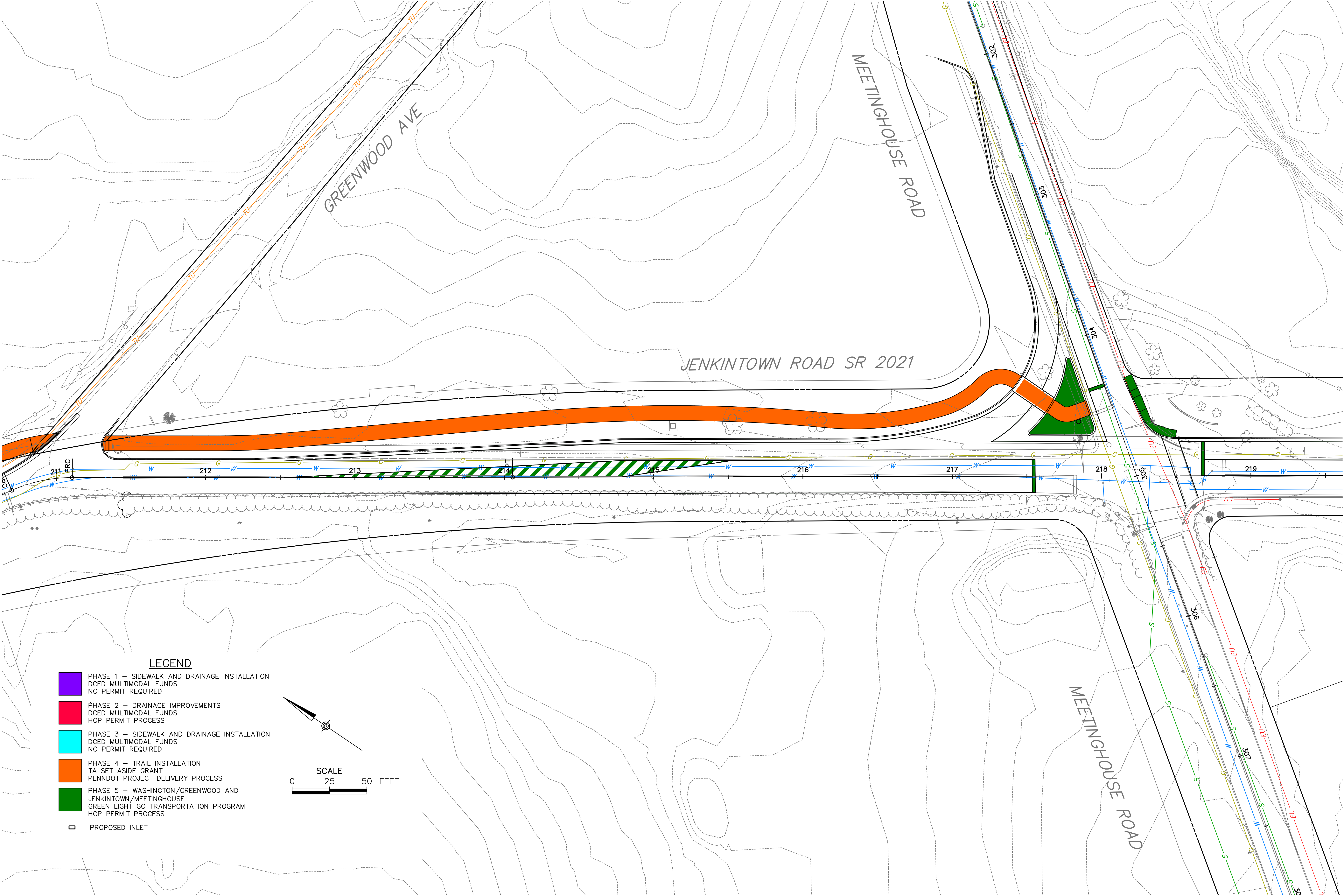
WELLINGTON TERRACE

MEETINGHOUSE ROAD

**LEGEND**

- PHASE 1 – SIDEWALK AND DRAINAGE INSTALLATION  
DCED MULTIMODAL FUNDS  
NO PERMIT REQUIRED
- PHASE 2 – DRAINAGE IMPROVEMENTS  
DCED MULTIMODAL FUNDS  
HOP PERMIT PROCESS
- PHASE 3 – SIDEWALK AND DRAINAGE INSTALLATION  
DCED MULTIMODAL FUNDS  
NO PERMIT REQUIRED
- PHASE 4 – TRAIL INSTALLATION  
TA SET ASIDE GRANT  
PENNDOT PROJECT DELIVERY PROCESS
- PHASE 5 – WASHINGTON/GREENWOOD AND  
JENKINTOWN/MEETINGHOUSE  
GREEN LIGHT GO TRANSPORTATION PROGRAM  
HOP PERMIT PROCESS
- PROPOSED INLET





GREENWOOD AVE

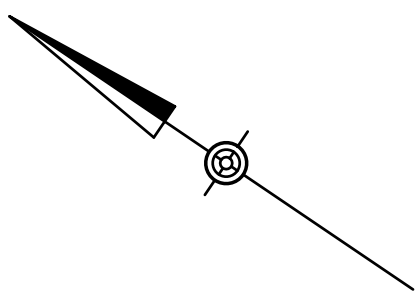
MEETINGHOUSE ROAD

JENKINTOWN ROAD SR 2021

MEETINGHOUSE ROAD

**LEGEND**

- PHASE 1 – SIDEWALK AND DRAINAGE INSTALLATION  
DCED MULTIMODAL FUNDS  
NO PERMIT REQUIRED
- PHASE 2 – DRAINAGE IMPROVEMENTS  
DCED MULTIMODAL FUNDS  
HOP PERMIT PROCESS
- PHASE 3 – SIDEWALK AND DRAINAGE INSTALLATION  
DCED MULTIMODAL FUNDS  
NO PERMIT REQUIRED
- PHASE 4 – TRAIL INSTALLATION  
TA SET ASIDE GRANT  
PENNDOT PROJECT DELIVERY PROCESS
- PHASE 5 – WASHINGTON/GREENWOOD AND  
JENKINTOWN/MEETINGHOUSE  
GREEN LIGHT GO TRANSPORTATION PROGRAM  
HOP PERMIT PROCESS
- PROPOSED INLET



SCALE  
0 25 50 FEET

211 212 213 214 215 216 217 218 219

300 301 302 303 304 305 306 307 308